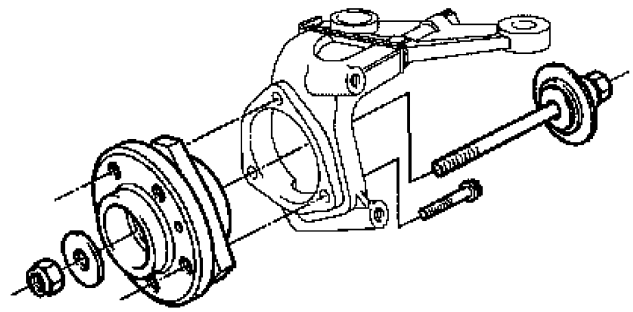


Hub Assembly, Front Wheel

The hub assembly comprises a bearing and the hub. The bearing is retained in the hub assembly by means of three bolts. The hub is retained in the bearing by means of a centre bolt, washers and a nut.



T 8934

- **Service**

The wheel bearing is maintenance-free and is not adjustable.